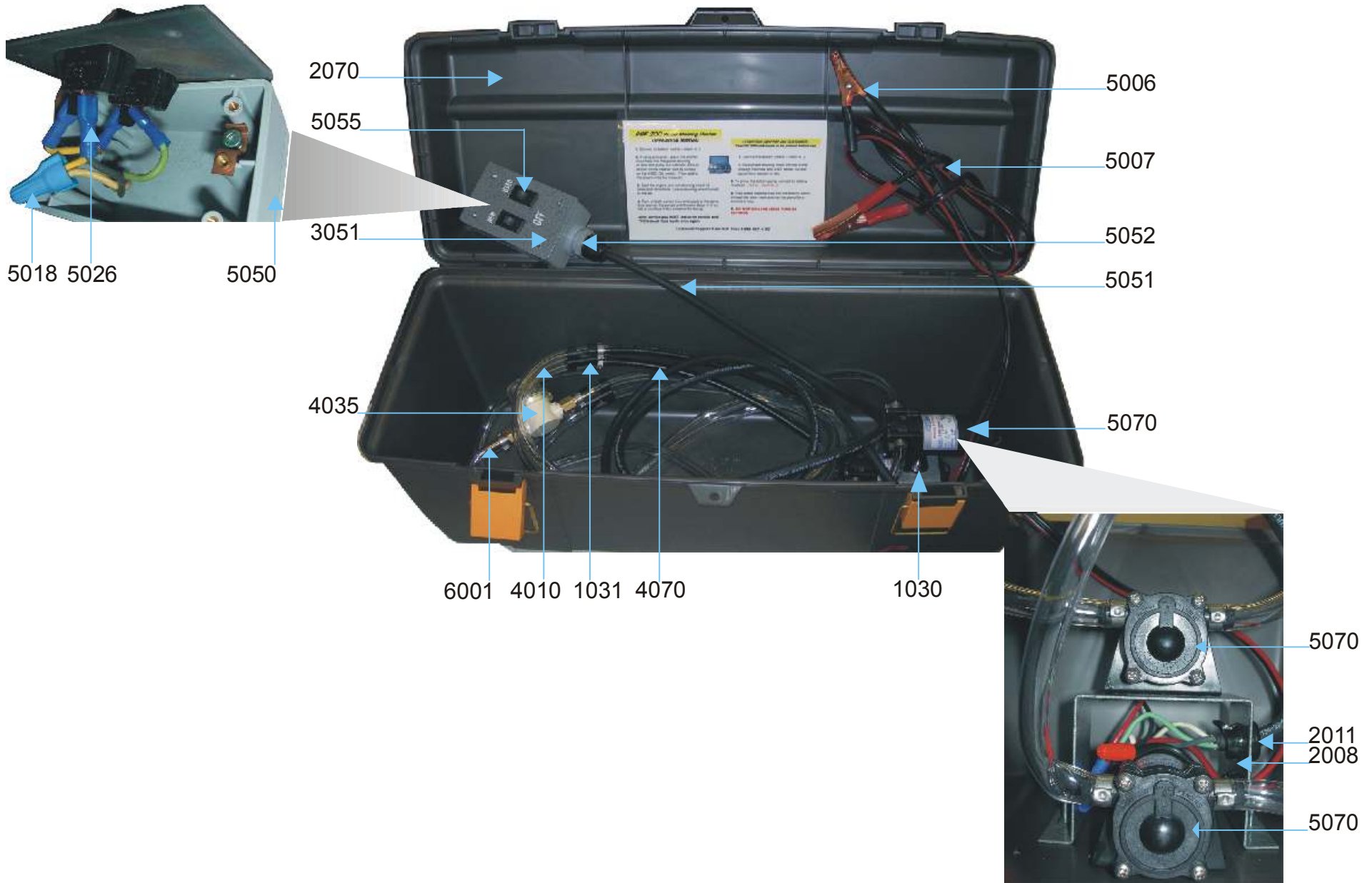
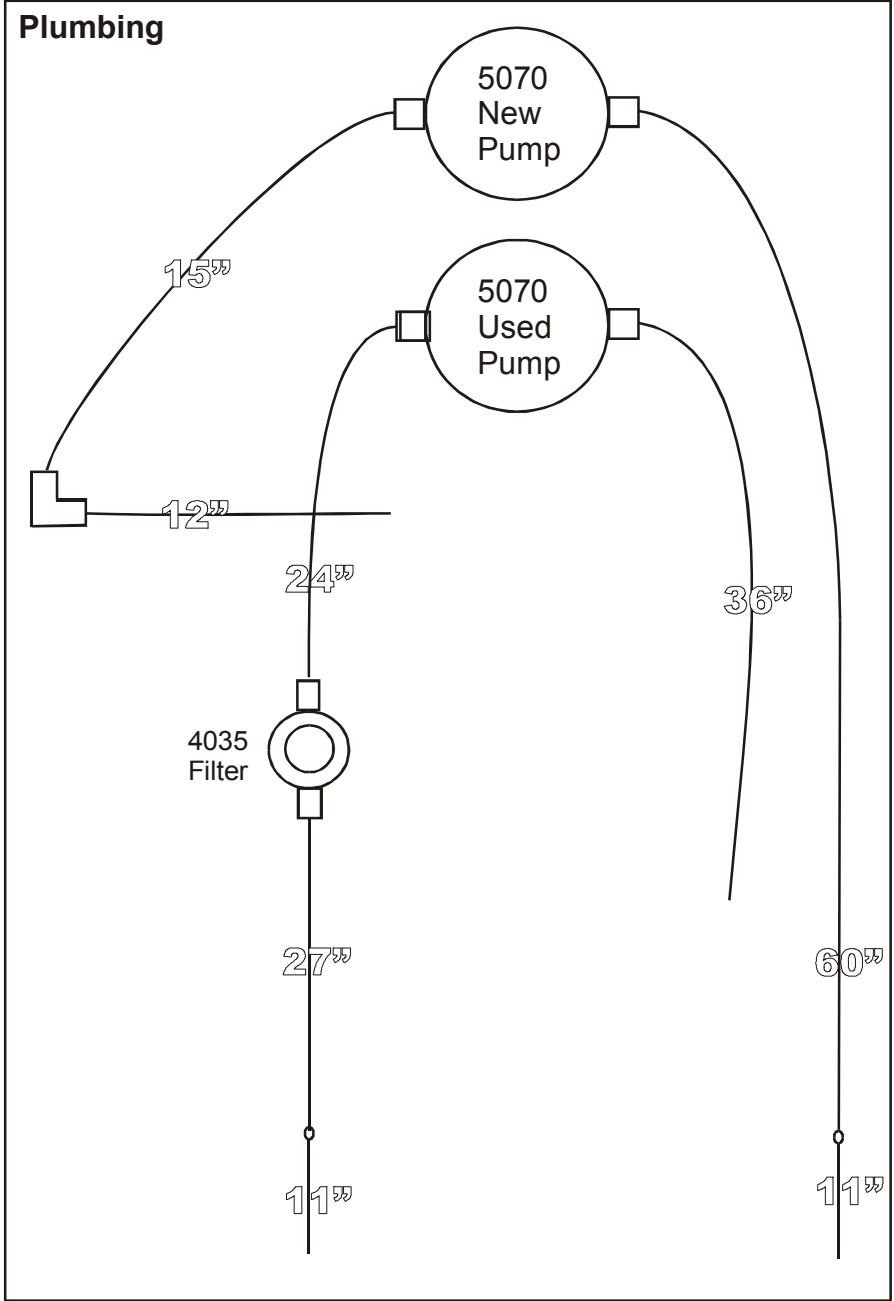
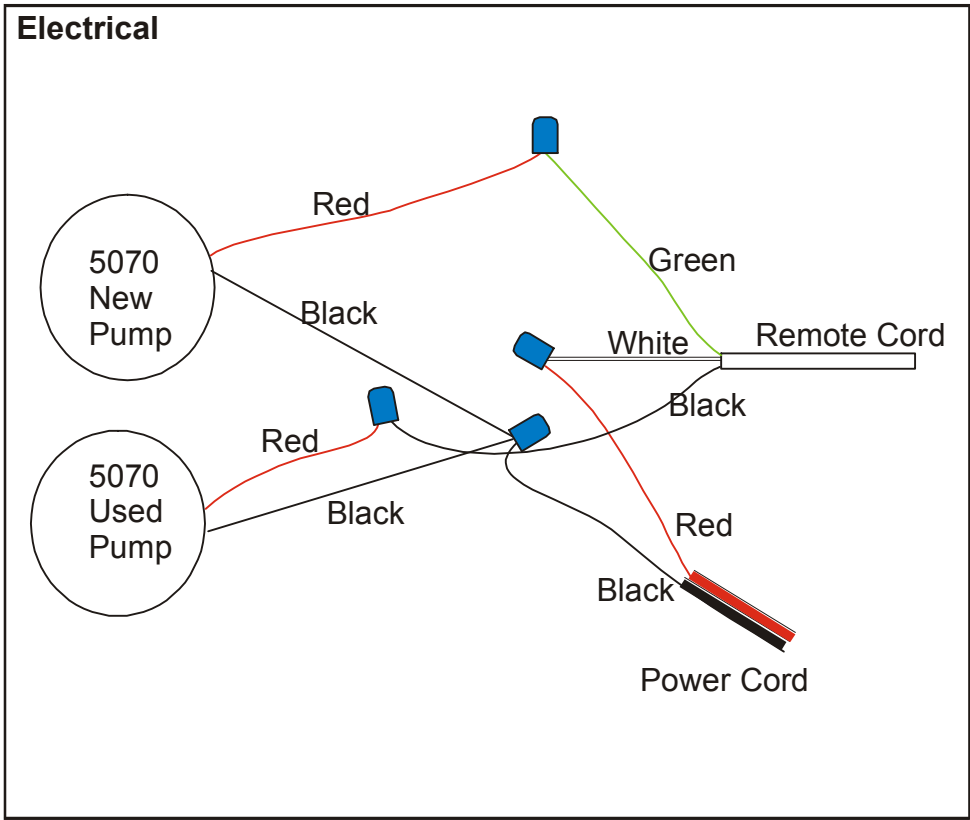


# PSF 200 Tool Box Power Steering Fluid Exchanger





## PSF 200 Troubleshooting

### **No Power**

- Check battery connectors, power cord and switches.

### **No Suction**

- Clean or replace pump head

### **Pump runs but no fluid**

- Check for obstruction in the tank or inlet hose at the pump.

## PSF 200 Power Steering Flush Toolbox

7.1

### Fasteners

1030	Machine Screw and nuts for fastening PSF 200 pumps
1031	Plastic Black Hose Clip

### Hardware

2008	Power Cord Strain Relief
2011	Strain Relief for PSF Remote Box
2070	Plastic Tool Box

### Metal Body Parts

3051	Metal Cover Plate for Remote box
3080	Metal Bracket for Pump

### Plumbing

4010	3/8" id kuri tech polyurethane tubing
4035	1/4" Inline Filter
4070	3/8" Black stiff hose

### Electrical

5006	Battery Clamps
5007	Power Cord
5018/19	Marrets
5026	Blue Spade Connector
5050	Plastic Power Receptical for Remote Box
5051	Electrical Wire for Remote Box
5052	Plstic 3/4" x 1/2" Bushing
5055	Square Plastic Switch
5070	Pump for PSF 200

### Fittings

6001	3/8" Hose Barb 1/4" Female Thread
6040	Nylon 3/8" x 3/8" 90° hose mender