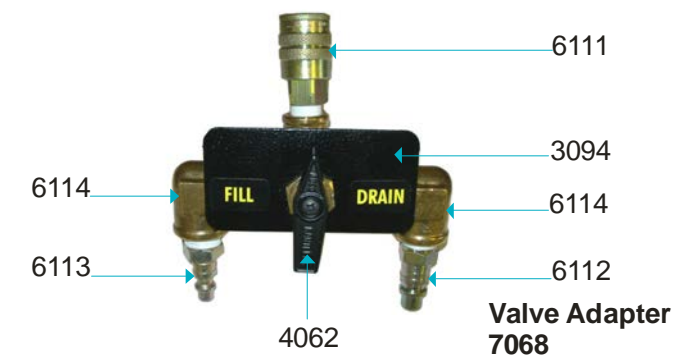
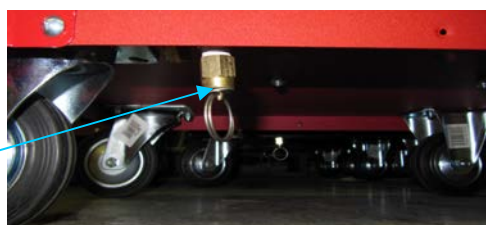
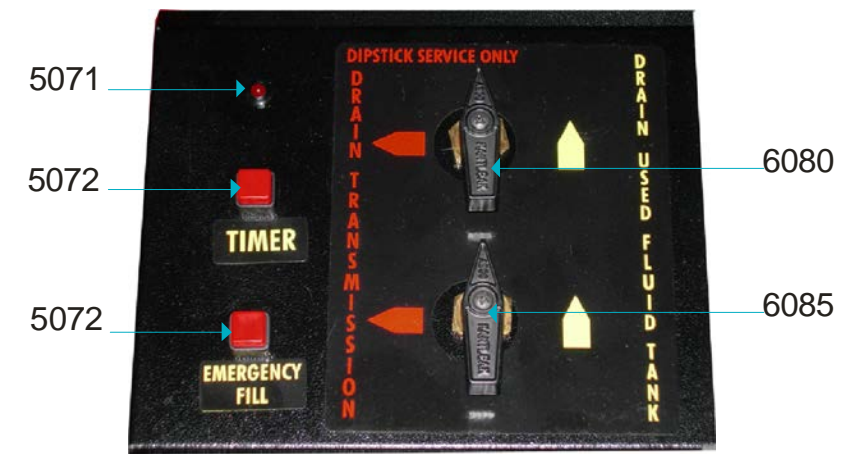
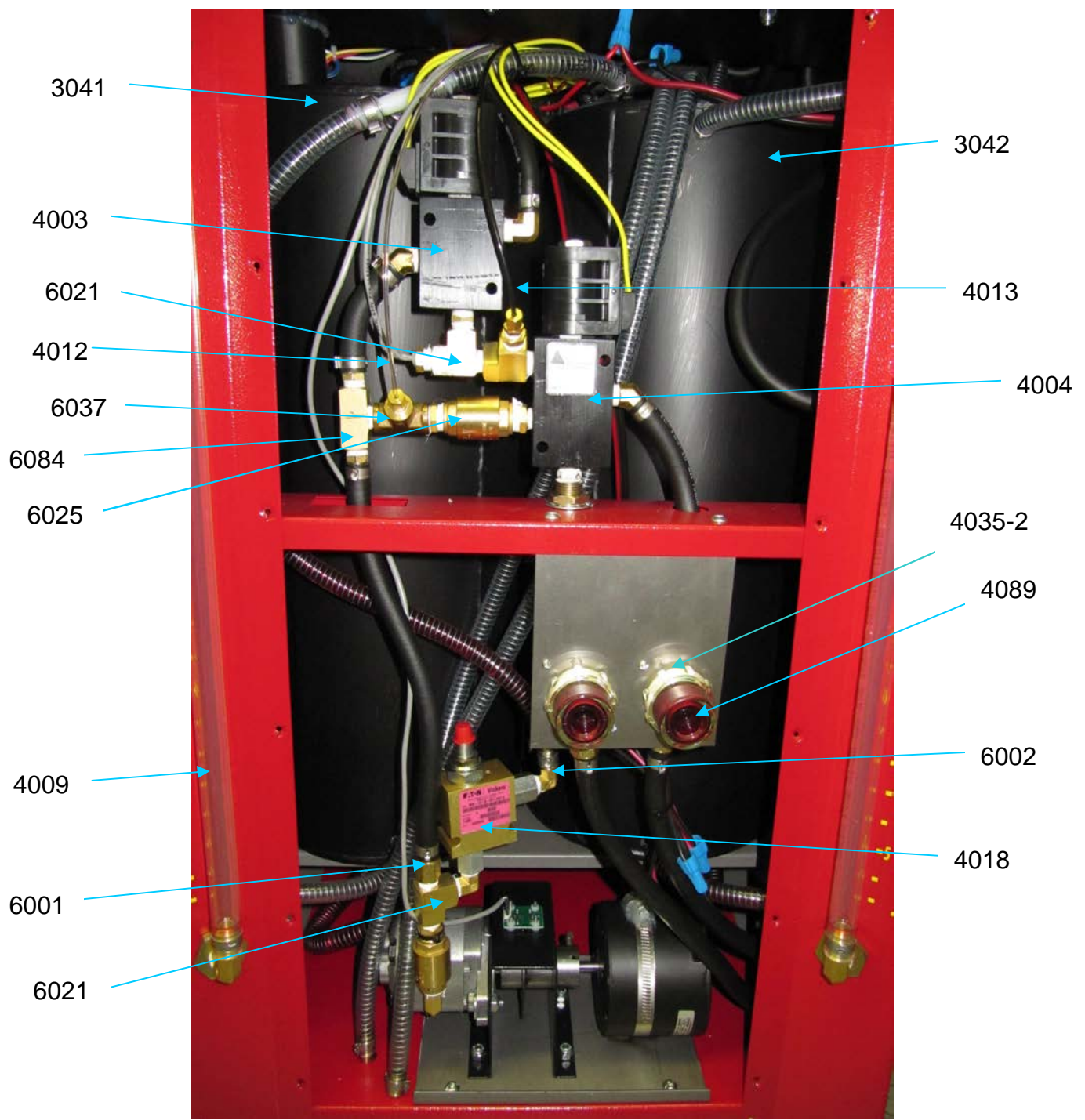
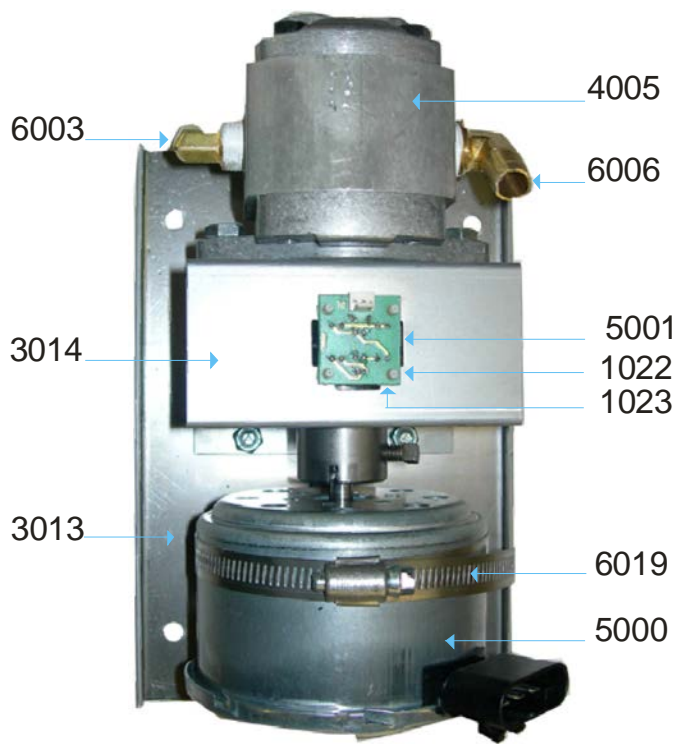
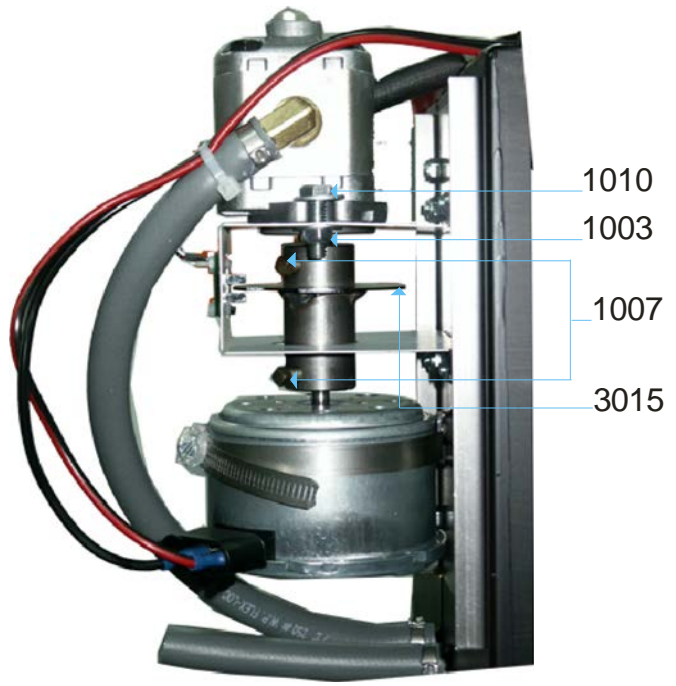


# ATS 330 E with Optional Dipstick Service





6110



4011-1

7018-2  
Complete  
Assembly



**Part# 7019**  
3/8" Push on Hose – 10ft

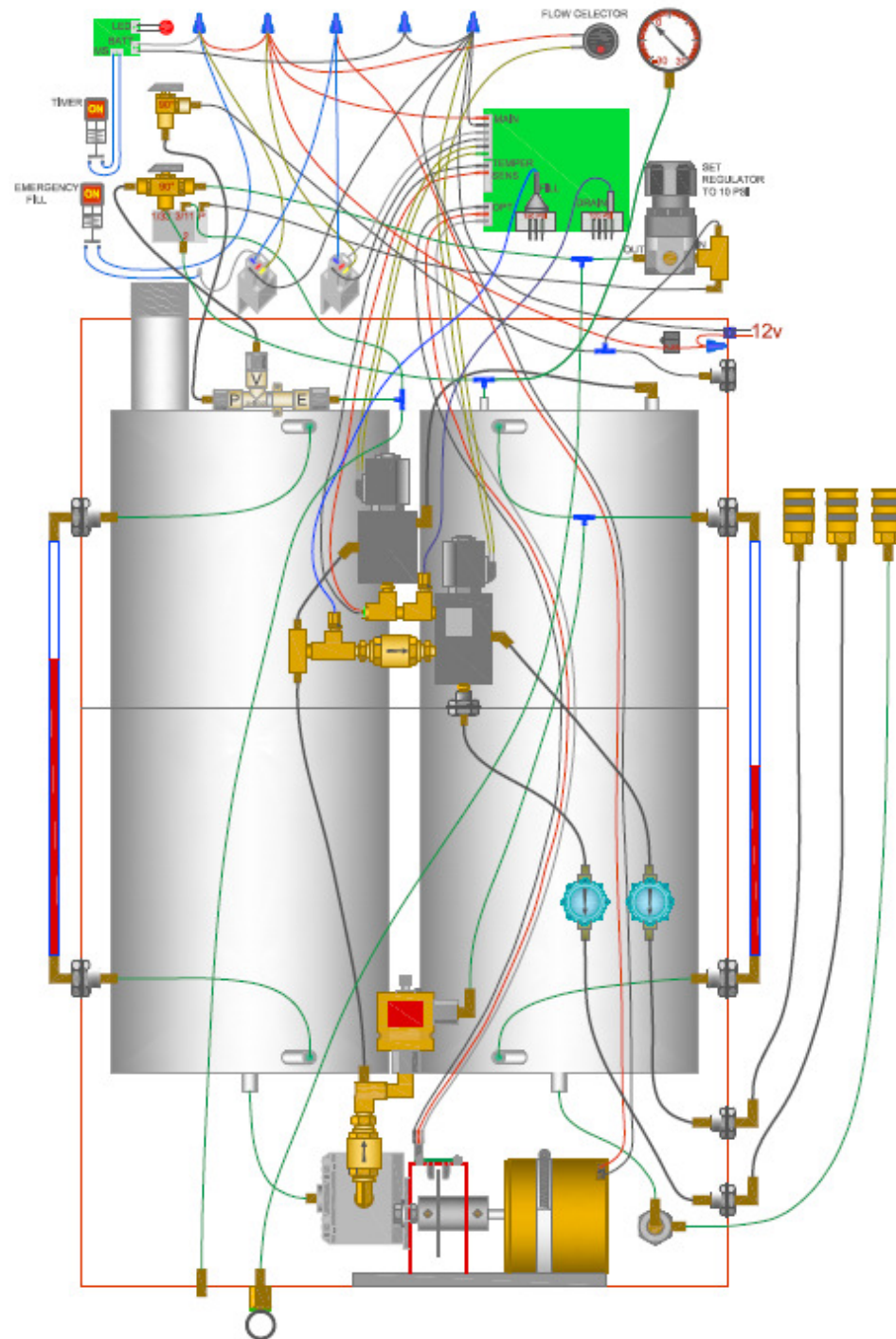


**Part# 7017**  
1/2" Grey Drain Hose - 7ft

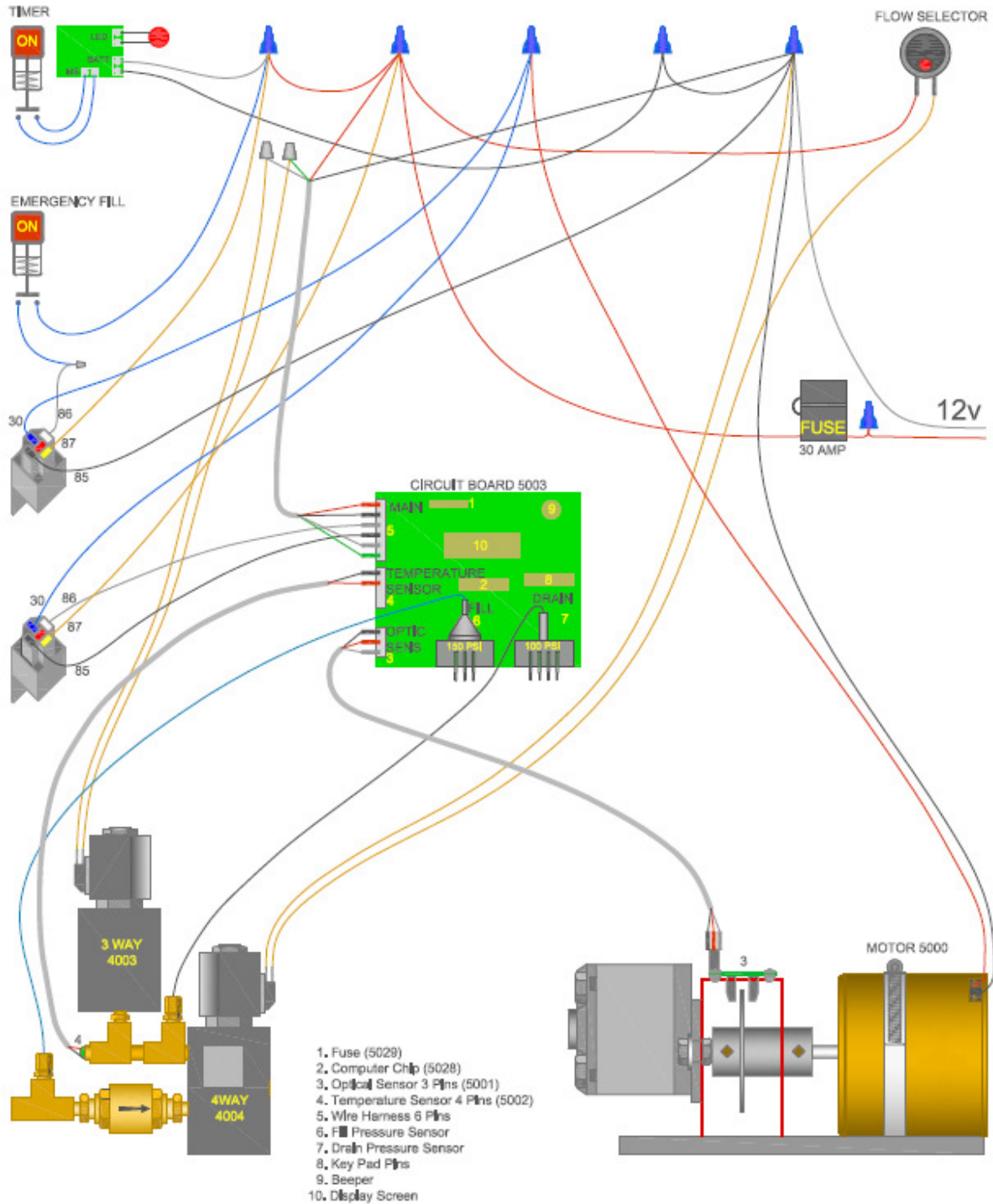


**Part# 7018**  
3/8" Push on Hose with  
Clear Hose Extension – 10ft  
Old Style

# ATS-330



# ATS-330 E WIRING



1. Fuse (5028)
2. Computer Chip (5028)
3. Optical Sensor 3 Pins (5001)
4. Temperature Sensor 4 Pins (5002)
5. Wire Harness 6 Pins
6. Fill Pressure Sensor
7. Drain Pressure Sensor
8. Key Pad Pins
9. Beeper
10. Display Screen

## ATS 330 Dual System Automatic Transmission Exchanger

### Fasteners

1000	Quadrex Screws for body assembly
1003	Caster Nut
1006	Handle Screw
1007	Square Head Set Screw - 3/4" Long
1010	1 Inch Hex Head Bolt
1022	Nylon Nut for Optical Sensor
1023	1/2" Machine Screw for Optical Sensor

### Hardware

2000	Solid Caster
2001	Swivel Caster
2002	Fill Cap Plastic (Must drill 1/8 hole top edge of cap see pg 1)
2003	Pull Handle Plastic
2008	Power Cord Strain Relief
2017	8" Drip Tube ABS
2018	24" Drip Tube ABS
2030	Decal Package

### Metal Body Parts

3013	Motor Plate w/studs and gear clamp bracket
3014	Optical Sensor Bracket
3015	Optical Sensor Wheel
3025	Metal Hose Hanger - bolt attachment style
3033	Power Cord Hanger -1" Wide 11 3/4" Long 1" Deep
3040	Metal Body Panels (includes base)
3041	New Tank
3042	Used Tank
3094	Valve Adapter Face Metal Plate
3095	Sight Tube Level Marker Metal with Magnet

### Plumbing

4001	0-25 psi Regulator
4002	10 lb Pressure Release Valve
4003	3 Way Solenoid
4004	4 Way Solenoid
4005	Gear Pump
4006	1/2" Grey Drain Hose
4007	3/8" push on hose Black
4008	1/4" hose black Dayco
4009	1/2" id kuri tech polyurethane tubing
4011	3/8" id Poly Spring Hose
4011-1	1/2" Poly-Spring Hose

### Electrical

5000	Electric Motor - Coiled spring pin
5001	Optical Sensor
5002	Temperature Sensor
5003	Circuit Board
5004	Keypad Membrane
5005	Round Rocker Switch
5006	Negative Battery Clamps
5006-1	Positive Battery Clamps
5007	Power Cord 14 Gauge
5020	30 AMP Round Fuse
5021	30 AMP Flat Fuse
5022	Fuse Holder Inline
5024	5 pin Relay 30 AMP
5028	Circuit Board Computer Chip
5029	Circuit Board Fuse
5056	Square Switch Red Light
5071	Red LED Light
5072	Red Square Button Switch

### Fittings

6003	3/8" Hose Barb 3/8" Pipe Thread in a 90°
6005	1/4" Hose Barb 1/4" Pipe Thread in a 90°
6006	1/2" Hose Barb 1/2" Pipe Thread in a 90°
6007	3/8" Hose Barb 1/4" Pipe Thread in a 45°
6010	Industrial Interchange Coupler
6014	1/2" One Sided Crimp
6019	Gear Clamps
6020	1/8 Compression Brass Fitting
6021	1/4" Brass Street Tee
6022	3/8" Brass Reducer to 1/4" Male Pipe Thread
6023	1/4" Brass Pipe Hex Nipple
6024	1/4" Bulkhead Coupler
6025	Flow Direction Spring Loaded Check Valve
6026	Female Quick Connect w/3/8 hose barb
6027	1/2" Hose Barb 3/8" Pipe Thread in a 90°
6028	3/8" Ball Valve w/ Red Handle
6036	1/2" Bulk Head
6037	1/4" Brass Reducing Pipe Tee to 1/8"
6038	3/8" Hose Barb to 1/4" Male Pipe Thread
6080	1/4" 2 way 90° Ball Valve
6084	1/4" Male Branch Tee

4012 Clear 1/8" Pressure Line  
4013 Black 1/8" Pressure Line  
4018 Pressure Blow Off Relief  
4020 Vacuum Pump  
4032 2" 30 psi Gauge  
4034 1/4" Metal Muffler  
4035-  
2 Nylon Bowl and Glass Bowl Complete  
4089 Glass Bowl Only

6085 1/4" 3 way 90° Ball Valve  
6110 1/2" Hose Barb 3/8" Female Quick Connect  
6111 1/2" Male Thread 3/8" Female Quick Connect  
6112 3/8" Male Thread with 3/8" Male Quick Connect (Drain Side - Fits 6111)  
6113 3/8" Male Thread with 1/4" Male Quick Connect (Fill Side - Fits 6026)  
6114 1/2" Female Thread 1/2" Male Thread in a 90°  
  
6115 180° Ball Valve with 3 1/2" Female Ports  
**Assembled**  
7003 Battery Clamps and Cables as set  
7019 ATS 330 3/8 push on hose Black Complete Assembly (4007)  
7018-2 ATS 330 1/2" Coiled hose Complete Assembly