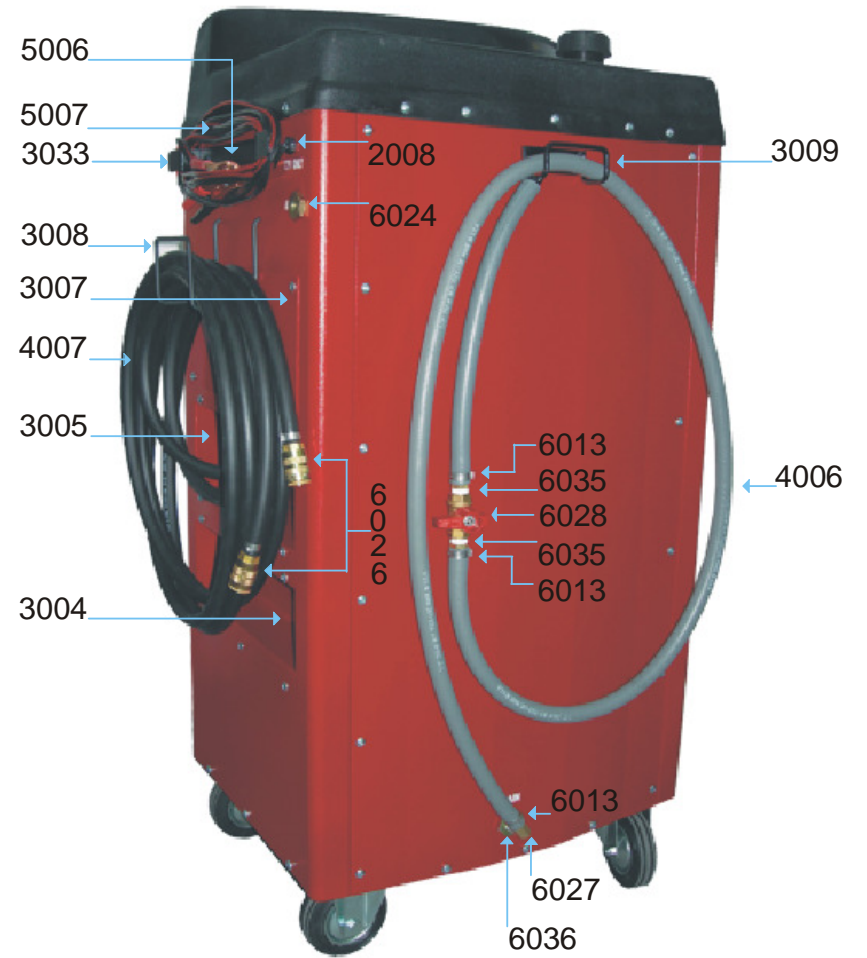
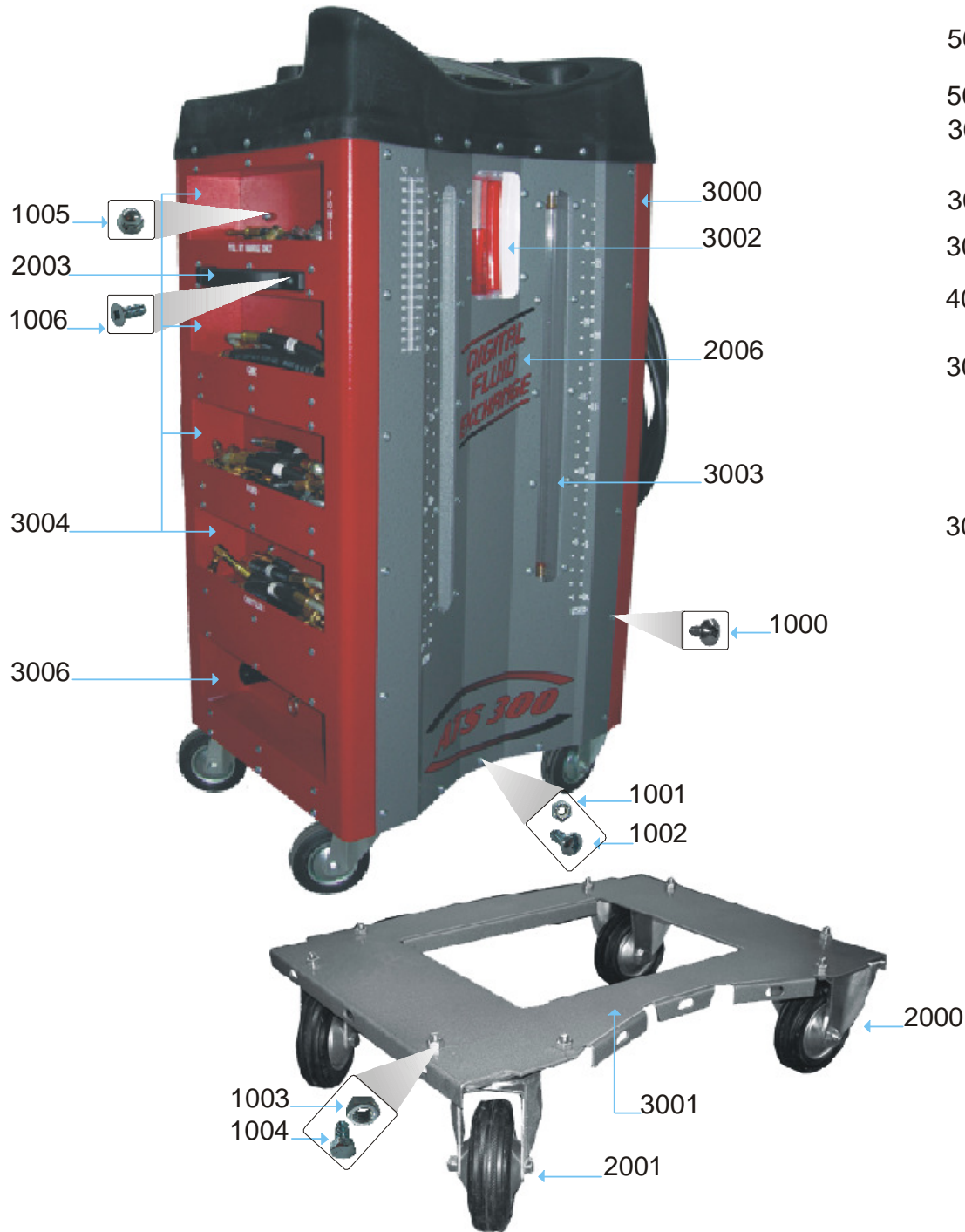
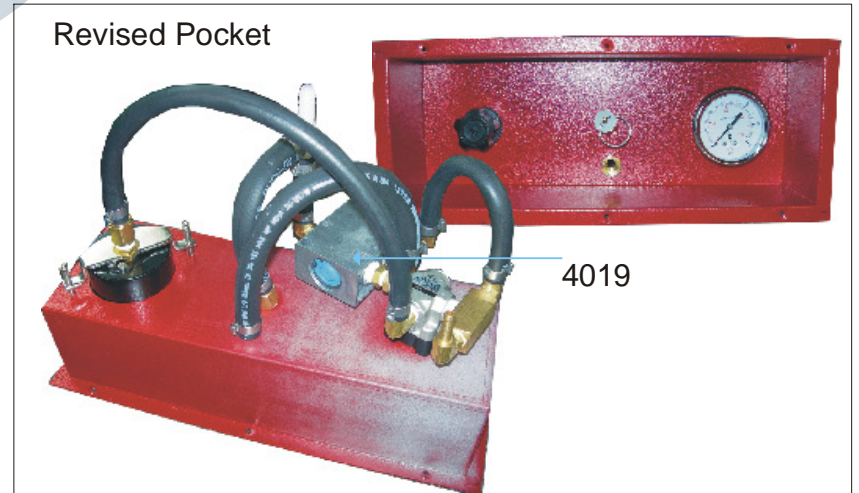
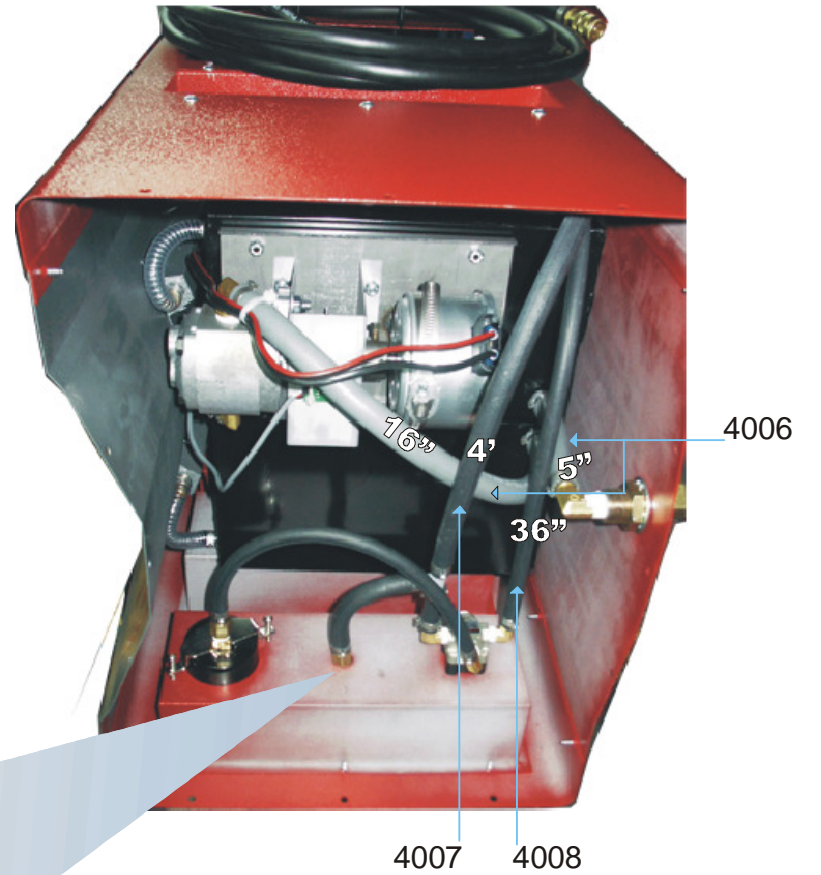
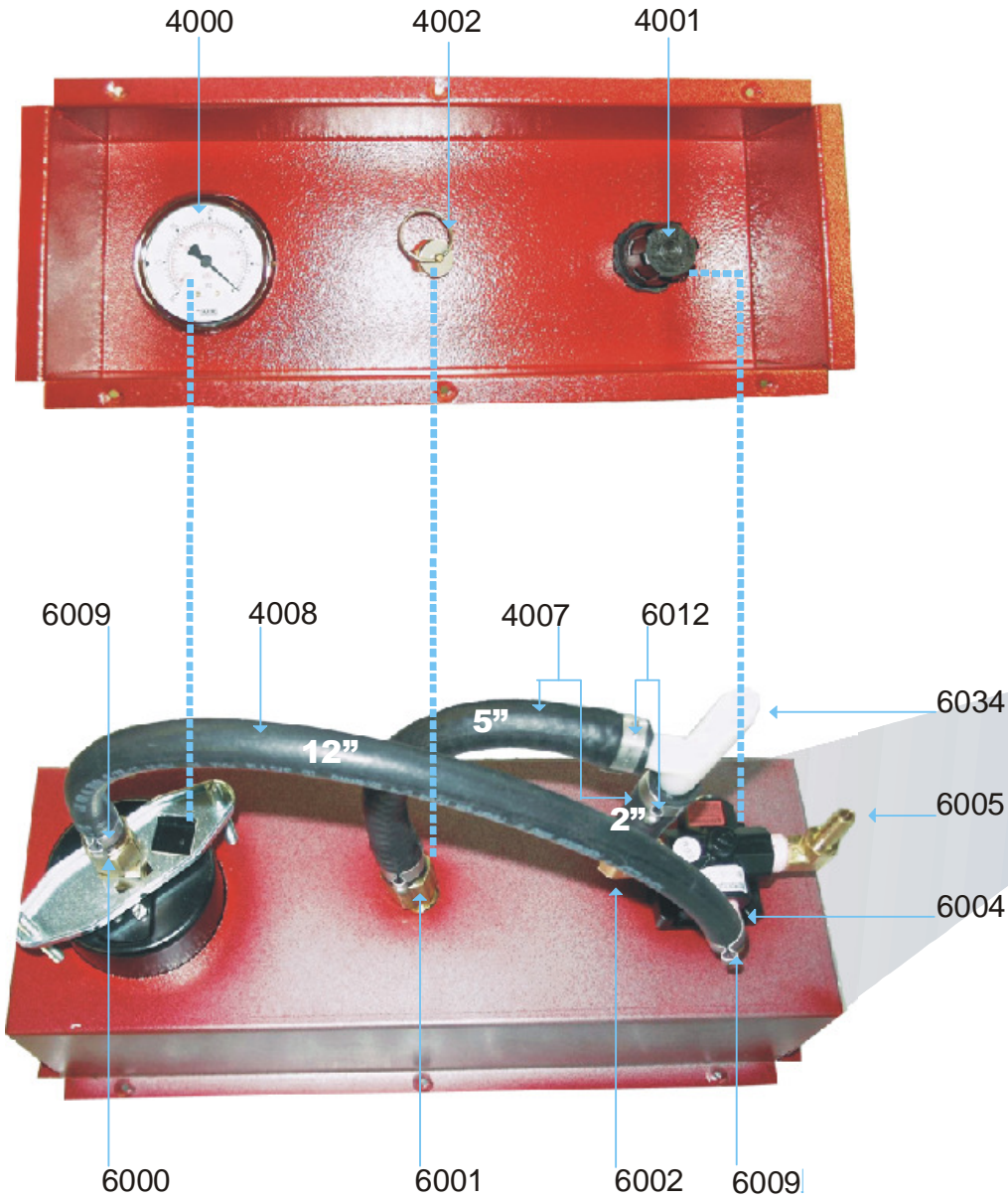


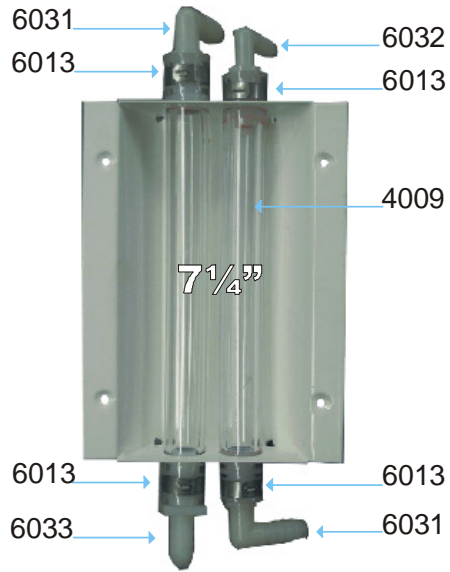
# ATS 300 E Automatic Transmission Exchanger



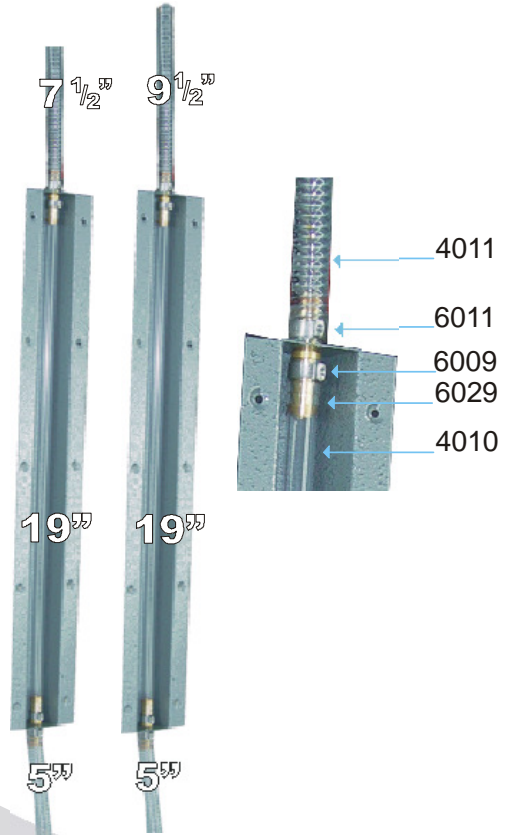
### 3006 Regulator Pocket Set Up



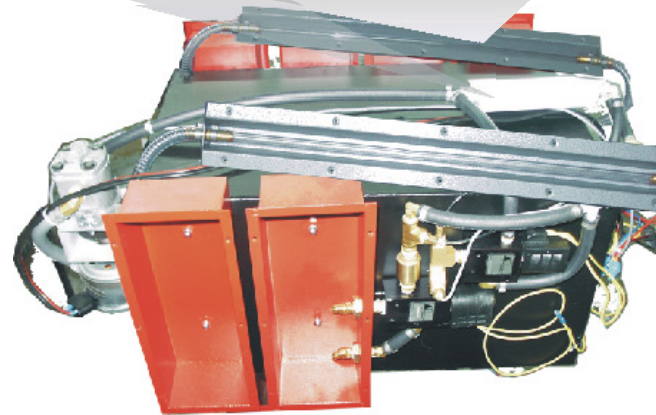
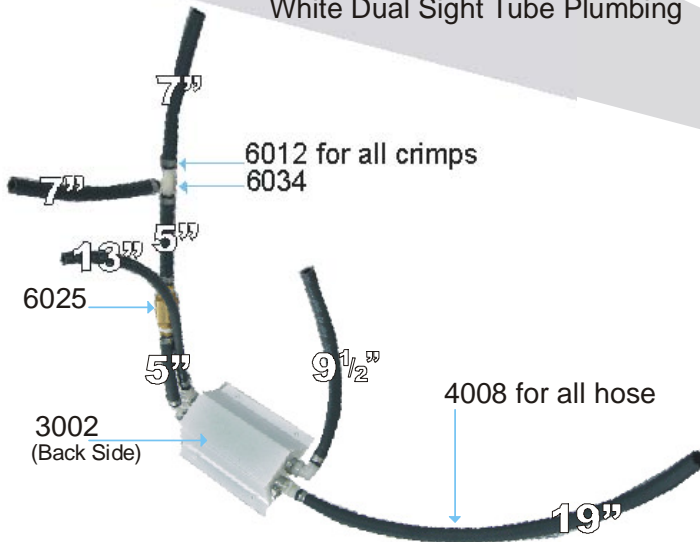
White Dual Sight Tube Set Up



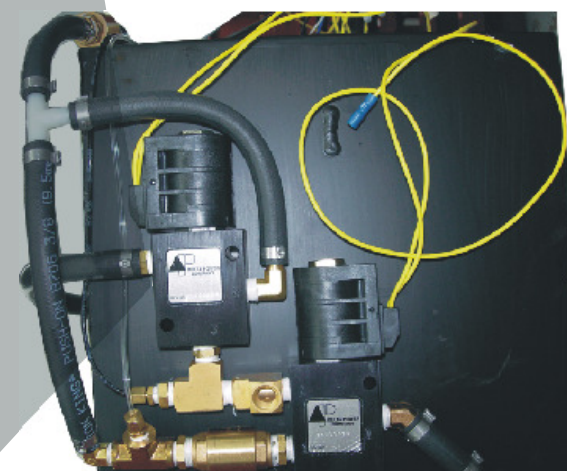
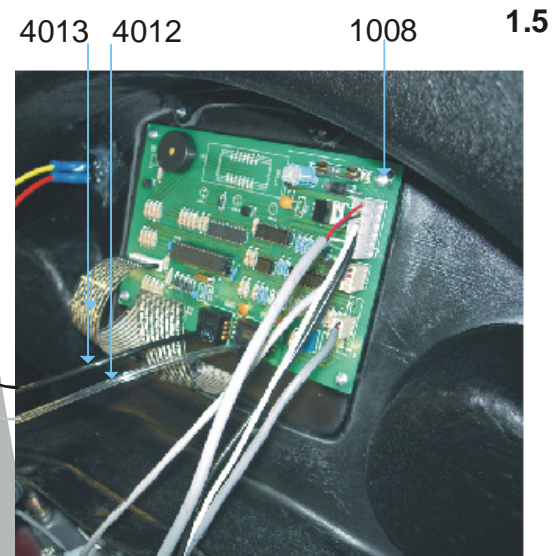
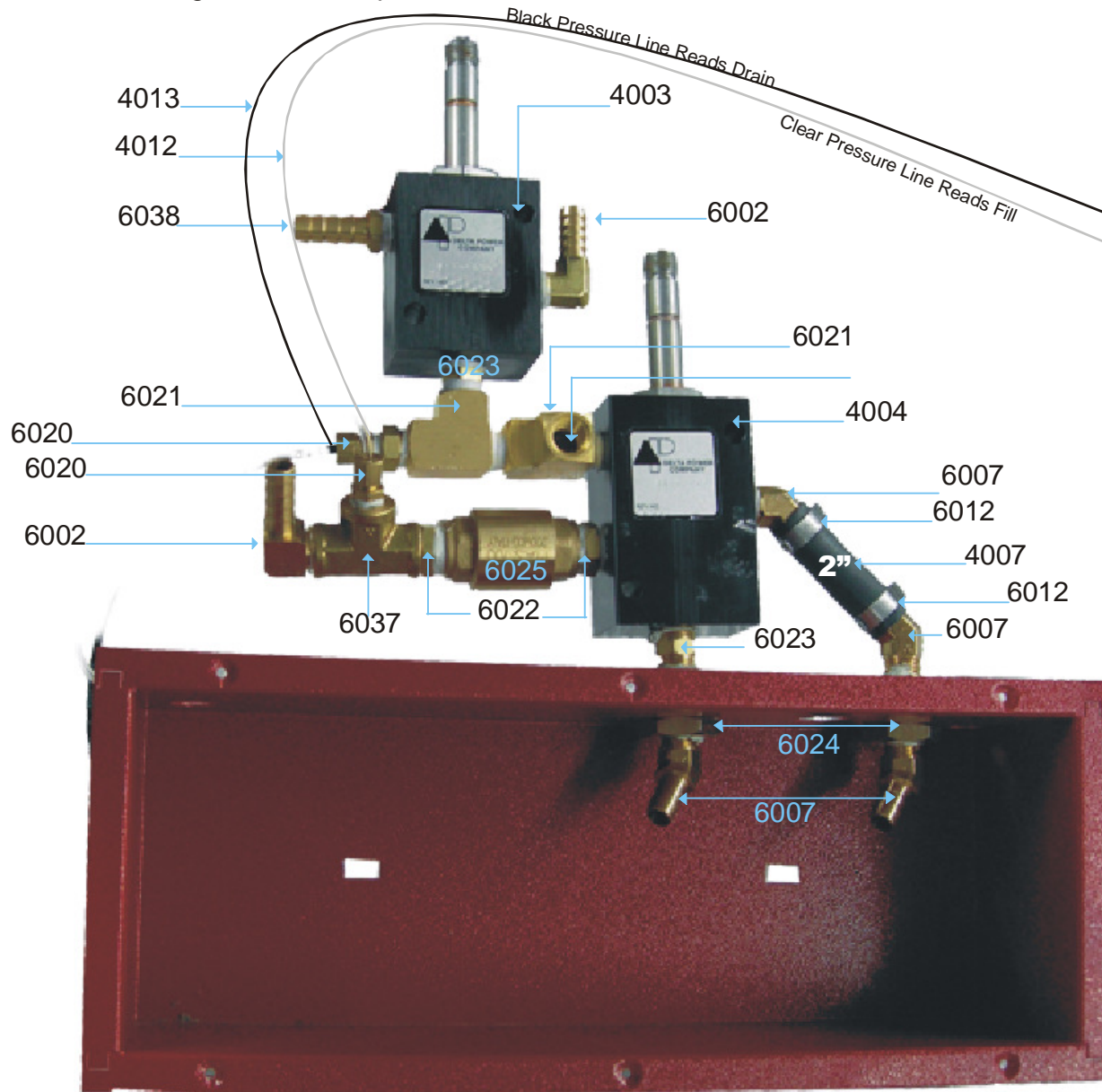
Level Sight Tube Set Up

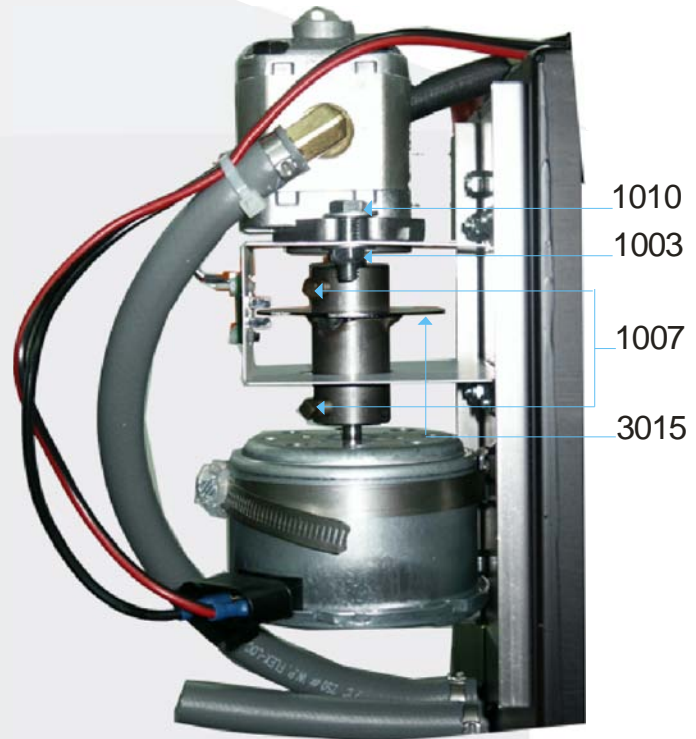
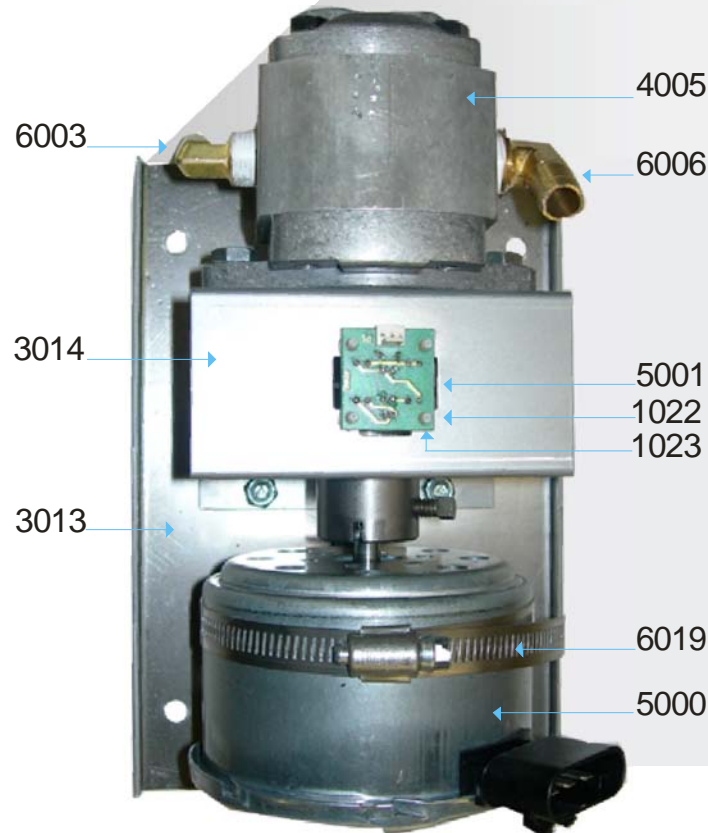
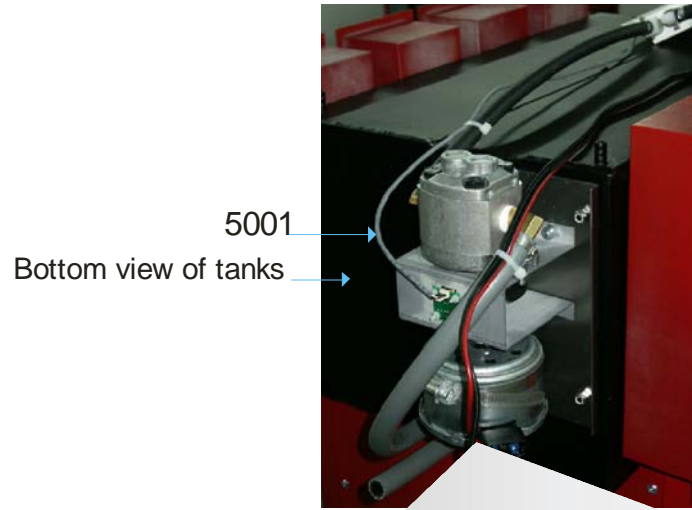


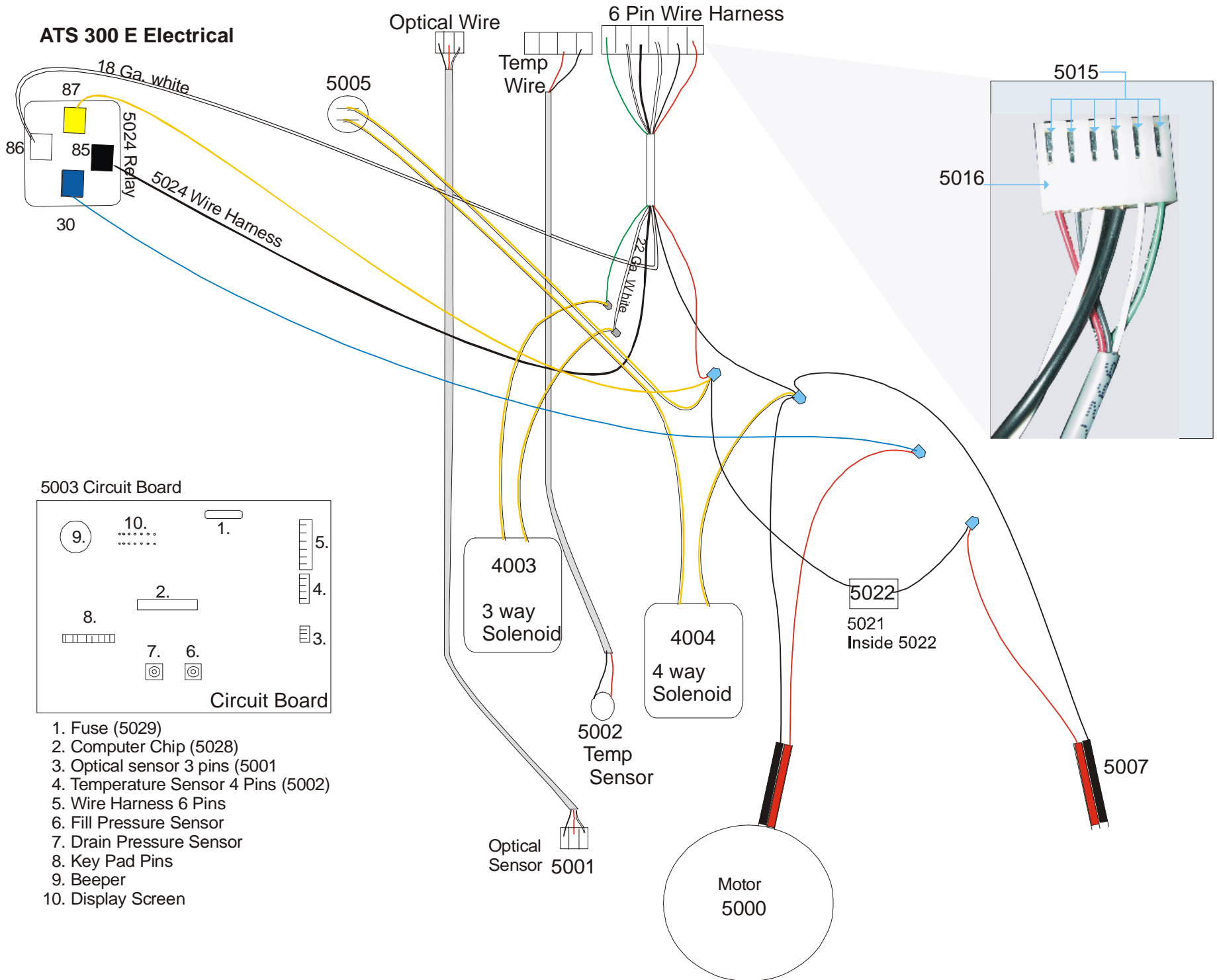
White Dual Sight Tube Plumbing

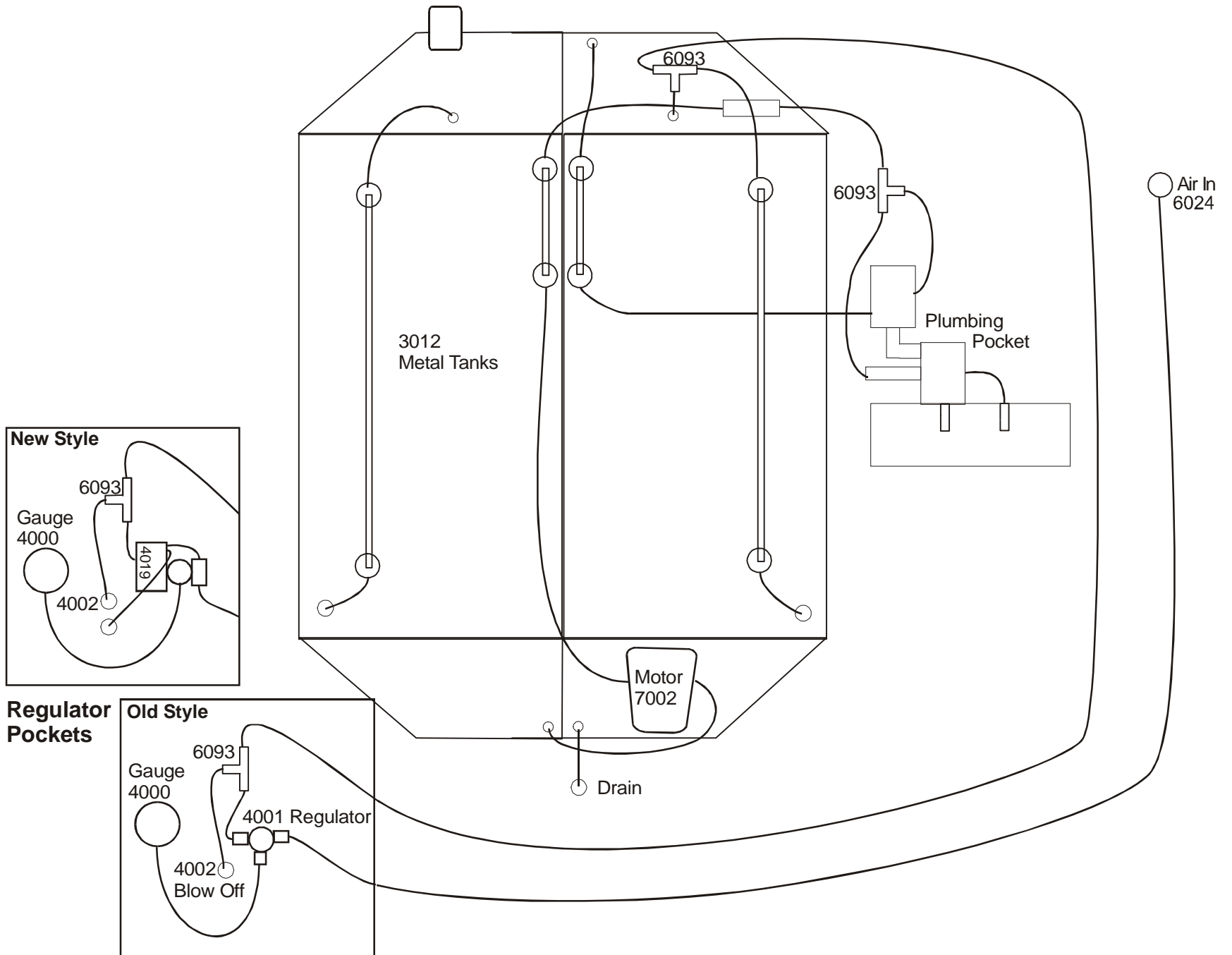


### 3005 Plumbing Pocket Set Up









## ATS Hoses



**Part# 7019**  
3/8" Push on Hose – 10ft



**Part# 7018 - Old**  
3/8" Push on Hose with  
Clear Hose Extension – 10ft



**Part# 7017**  
1/2" Grey Drain Hose - 7ft



# ATS 300 Automatic Transmission Exchanger

1.1a

## Fasteners

- 1000 Quadrex Screws for body assembly
- 1001 Lock Nut with Nylon Insert
- 1002 Base Bolt
- 1003 Caster Nut
- 1004 5/16 Caster Bolt
- 1005 Acorn Nut
- 1006 Handle Screw
- 1007 Square Head Set Screw - 3/4" Long
- 1008 Phillips Circuit Board Screw
- 1009 Phillips Keypad Plate Screw
- 1010 1 Inch Hex Head Bolt
- 1022 Nylon Nut for Optical Sensor
- 1023 1/2" Machine Screw for Optical Sensor

## Hardware

- 2000 Solid Caster
- 2001 Swivel Caster
- 2002 Fill Cap Plastic (Must drill 1/8 hole top edge of cap)
- 2003 Pull Handle Plastic
- 2004 Plastic Top Only
- 2005 Plastic Keypad Plate
- 2006 Decal Package
- 2008 Power Cord Strain Relief

## Metal Body Parts

- 3000 Metal Body Panels
- 3001 Metal Base with Access Hole
- 3002 White Dual Sight Tube Metal Pocket
- 3003 Level Sight Tube Metal Pocket
- 3004 Solid Metal Pockets
- 3005 Plumbing Metal Pocket
- 3006 Regulator Metal Pocket
- 3007 Access Panel Plate
- 3008 Metal Hose Hanger
- 3009 Drain Hose Hanger
- 3011 Metal Neck Ring
- 3012 New Used Welded Tanks with Studs
- 3013 Motor Plate w/studs and gear clamp bracket
- 3014 Optical Sensor Bracket
- 3015 Optical Sensor Wheel
- 3033 Power Cord Hanger

## Plumbing

- 4000 2 1/2" 30 psi Gauge
- 4001 0-25 psi Regulator
- 4002 10 lb Pressure Release Valve
- 4003 3 Way Solenoid
- 4004 4 Way Solenoid
- 4005 Gear Pump
- 4006 1/2" Grey Drain Hose
- 4007 3/8" push on hose Black
- 4008 1/4" hose black Dayco
- 4009 1/2" id kuri tech polyurethane tubing
- 4010 3/8" id kuri tech polyurethane tubing
- 4011 3/8" id Poly Spring Hose
- 4012 Clear 1/8" Pressure Line per line
- 4013 Black 1/8" Pressure Line per line

**Electrical**

5000	Electric Motor
5001	Optical Sensor wire and plugs
5002	Temperature Sensor wire and plugs
5003	Circuit Board
5004	Keypad Membrane
5005	Round Rocker Switch
5006	Battery Clamps
5007	Power Cord 14 Gauge
5010	4 Strand Wire
5011	3 Position Nylon Plug
5012	4 Position Nylon Plug
5013	6 Position Nylon Plug
5014	Small Metal Pins
5015	Large Metal Pins
5016	Female Spade Electrical Connections
5017	1/8" Heat Shrink Tube
5018	Blue Marretts
5019	Grey Marretts
5020	30 AMP Round Fuse
5021	30 AMP Flat Fuse
5022	Fuse Holder Inline
5024	5 pin Relay 30 AMP
5025	5 Pin Wire Harness 24"
5026	Blue Spade Connector
5027	Red 22 Gauge
5028	Circuit Board Computer Chip
5029	Circuit Board Fuse
5055	Square Plastic Switch On/Off (no longer a feature in current model)

**Fittings**

6000	1/4" Hose Barb 1/4" Female Thread
6001	3/8" Hose Barb 1/4" Female Thread
6002	3/8" Hose Barb 1/4" Pipe Thread in a 90°
6003	3/8" Hose Barb 3/8" Pipe Thread in a 90°
6004	1/4" Hose Barb 1/8" Pipe Thread in a 90°
6005	1/4" Hose Barb 1/4" Pipe Thread in a 90°
6006	1/2" Hose Barb 1/2" Pipe Thread in a 90°
6007	3/8" Hose Barb 1/4" Pipe Thread in a 45°

**Fittings Continued**

6008	One Sided Crimp
6009	1/4" One Sided Crimp
6010	One Sided Crimp
6011	One Sided Crimp
6012	3/8" One Sided Crimp
6013	1/2" One Sided Crimp
6014	1/2" One Sided Crimp
6015	One Sided Crimp
6016	Gear Clamps
6017	Gear Clamps
6018	Gear Clamps
6019	Gear Clamps
6020	1/8 Compression Brass Fitting
6021	1/4" Brass Street Tee
6022	3/8" Brass Reducer to 1/4" Male Pipe Thread
6023	1/4" Brass Pipe Hex Nipple
6024	1/4" Bulkhead Coupler
6025	Flow Direction Spring Loaded Check Valve
6026	Female Quick Connect w/3/8 hose barb
6027	1/2" Hose Barb 3/8" Pipe Thread in a 90°
6028	3/8" Ball Valve w/ Red Handle
6029	3/8 Brass Hose Mender w/ Collar
6030	Hex Head Plug - Drilled out w/1/4" bit (not completely through)
6031	Nylon 1/2 x 3/8 90° Hose Mender
6032	Nylon 1/2 x 1/4 90° Hose Mender
6033	Nylon 1/2 x 3/8 Hose Mender
6034	3/8" Male Tee Nylon
6035	1/2" Hose Barb 3/8" Male Pipe Thread
6036	1/2" Bulk Head
6037	1/4" Brass Reducing Pipe Tee to 1/8"
6038	3/8" Hose Barb to 1/4" Male Pipe Thread

**Assembled Parts**

5001	Optical Sensor wire and plugs
5002	Temperature Sensor wire and plugs
5003	Circuit Board
7000	Complete ATS regular fittings package
7001	Complete ATS optional fittings package
7002	ATS Pump Motor Assembly
7003	Battery Clamps (5006) and Cable (5007) Set
7004	ATS Drain Hose Assembly
7005	ATS 3/8 black (4007) w/Quick Connect (6026) attached

**ATS 300/330 E Fittings**

UM14	Universal 1/4" male
UM516	Universal 5/16" male
UM38	Universal 3/8" male
UF14	Universal 1/4"
UF516	Universal 5/16"
UF38	Universal 3/8"
060-0450	Hose gear Clamps
FP14	Universal 1/4" female NPT (Use with MP14)
MP14	Universal 1/4" male NPT (Use with FP14)
MP38	Universal 3/8" female NPT
CFM	Chrysler Female Metric
CMM	Chrysler male Metric
FJIC38	3/8" female JIC Chrysler
MJIC38	3/8" Male JIC 90 Chrysler
FFN38	#6 SAE Female Flare Chrysler Use MA-38-516
5 x 6 SAEU	#5 X #6 SAEU Male Union Chrysler
UMQD38	Universal 3/8" Male push to connect
UF12	Universal 1/2" Female Chrysler V-10 Diesel
UM12	Universal 1/2" Male Chrysler V-10 Diesel
DFM516	5/16" Male Deep Flare Ford Use with DFF516
DFF516	5/16" Female Deep Flare Ford Use with DFM516
DFM38	3/8" Male Deep Flare Ford Use with DFF38
DFF38	3/8" Female Deep Flare Ford Use with DFM38
FSF	Ford/Saturn Female
FSM	Ford/Saturn Male
FM3178	Ford Male for an F150 Hook up to bottom line on the temp valve on the transmission side. New fluid line toward transmission.
UMQD516	Universal 5/16" Male push to connect
FBS38	3/8" Female Ball Seat Ford
IB14	14mm x 1.5 Banjo Fitting Ford - set of 2
IBB14	14 mm Double Banjo Bolt Ford
IBW14	14 mm Banjo Washers Ford - set of 3
IBN14	14 mm Banjo Bolt Nut Ford
UC516	5/16" Standard Flare, 7/16"-24 GMC
UCF516	5/16" Standard Female Flare 7/16"-20 GMC
UC38	3/8" Standard Flare, 5/8"-24 GMC

UCF38	3/8" Standard Female Flare 5/8"-20 GMC
FFN516	#5 SAE Female Flare GMC
GMA38	3/8" New Style GM push to Connect
FSQC58	Male 5/8 Push to Connect GMC Duramax Hose
CP20-34	Duramax Diesel Open End Hose
7000	Fittings Shown on 1.9 – 1.11

**Optional Fittings**

Volvo 082 -2062	Female
Volvo 082-2601	Male and Flange
V-DO14F	Volvo Double O-Ring 14mm Female
V-DO14M	and Male For Volvo S60/70/80
BL07F	Cummins Diesel Lincoln/Excursion Female 1/2"
BL07M	Cummins Diesel Lincoln/Excursion Male 1/2"
4208	GM 3/8 Female Quick Connect Use with GMA 3/8
4216	3/8 Quick Connect Releasing Tool - Blue
GMA12	Yukon GM 1/2 Male Push to Connect
4207	Yukon GM 1/2 Female Quick Connect Use with GMA 12
4217	1/2 Quick Connect Releasing Tool Red - Use with 4207
4206	5/8 Push to Connect GMC Duramax Diesel Female
F150QC-SET	F150 Push to Connect with and Without Clip
GMA38L	Cadillac 3/8 Male Push to Connect Long
LR12	Land Rover 1/2 O-Ring Female Thread
ATS-FI	ATS Fluid Injector for Cleaner or Conditioner Use on Sealed Transmissions
FVUE	Saturn Vue – Ion Female
MVUE	Saturn Vue – Ion Male with O-ring
BMW 062-2000	12 mm Male
BMW 062-2005	12 mm Female w/Flange
BMW 062-2010	10 mm Male w/Nut
BMW 062-2050	10 mm Female w/Flange